

Rotary actuator for butterfly valves

- Nominal torque 160 Nm
- Nominal voltage AC 24...240 V / DC 24...125 V
- Control Open-close, 3-point
- with 2 integrated auxiliary switches


RETROFIT

Technical data

Electrical data	Nominal voltage	AC 24...240 V / DC 24...125 V	
	Nominal voltage frequency	50/60 Hz	
	Nominal voltage range	AC 19.2...264 V / DC 19.2...137.5 V	
	Power consumption in operation	20 W	
	Power consumption in rest position	6 W	
	Power consumption for wire sizing	with 24 V 20 VA / with 230 V 52 VA	
	Auxiliary switch	2 x SPDT, 1 x 10° / 1 x 0...90° (ex works 85°)	
	Switching capacity auxiliary switch	1 mA...3 (0.5 inductive) A, AC 250 V	
	Connection supply / control	Terminals 2.5 mm ²	
	Connection auxiliary switch	Terminals 2.5 mm ²	
	Parallel operation	Yes (note the performance data)	
	Functional data	Torque motor	160 Nm
		Manual override	with hand crank, can be fixed in any position
Running time motor		35 s / 90°	
Motor running time variable		30...120 s	
Sound power level motor		68 dB(A)	
Position indication		Mechanically (integrated)	
Safety	Protection class IEC/EN	II reinforced insulation	
	Protection class UL	II reinforced insulation	
	Protection class auxiliary switch IEC/EN	II reinforced insulation	
	Degree of protection IEC/EN	IP66 + IP67	
	EMC	CE according to 2014/30/EU	
	Low voltage directive	CE according to 2014/35/EU	
	Certification IEC/EN	IEC/EN 60730-1 and IEC/EN 60730-2-14	
	Certification UL	cULus according to UL 60730-1A, UL 60730-2-14 and CAN/CSA E60730-1:02	
	Mode of operation	Type 1	
	Rated impulse voltage supply	4 kV	
	Rated impulse voltage auxiliary switch	2.5 kV	
	Control pollution degree	3	
	Ambient temperature	-30...50 °C	
Non-operating temperature	-40...80 °C		
Ambient humidity	95% r.h., non-condensing		
Maintenance	Maintenance-free		
Mechanical data	Connection flange	F07	
	Weight	Weight	
		5.8 kg	

Safety notes


- This device has been designed for use in stationary heating, ventilation and air conditioning systems and must not be used outside the specified field of application, especially in aircraft or in any other airborne means of transport.
- Caution: Power supply voltage!
- Only authorised specialists may carry out installation. All applicable legal or institutional installation regulations must be complied during installation.
- Apart from the connection box, the device may only be opened at the manufacturer's site. It does not contain any parts that can be replaced or repaired by the user.

Safety notes

- The device contains electrical and electronic components and must not be disposed of as household refuse. All locally valid regulations and requirements must be observed.

Product features

Fields of application	The actuator is particularly suitable for utilisation in outdoor applications and is protected against the following weather conditions: <ul style="list-style-type: none"> - UV radiation - dirt / dust - rain / snow - Humidity
Parameterisable actuators	The factory settings cover the most common applications. Single parameters can be modified with the ZTH EU or the Belimo Assistant App. The Belimo Assistant App simplifies commissioning and parameterisation via Near Field Communication (NFC). Moreover, it provides a variety of diagnostic options.
Simple direct mounting	Simple direct mounting on the butterfly valve. The mounting orientation in relation to the butterfly valve can be selected in 90° (angle) increments.
Manual override	The valve can be manually operated using a hand crank. Unlocking is carried out manually by removing the hand crank.
Internal heating	An internal heater prevents condensation buildup. Thanks to the integrated temperature and humidity sensor the built-in heater automatically switches on.
High functional reliability	The actuator is overload protected, requires no limit switches and automatically stops when the end stop is reached.
Combination valve/actuator	For valves with the following mechanical specifications in accordance with ISO 5211 F07: <ul style="list-style-type: none"> - Square stem head SW = 17 mm for form-fit coupling of the rotary actuator. - Hole circle d = 70 mm
Flexible signalization	The actuator has one auxiliary switch with a fixed setting (10°) and one adjustable auxiliary switch (0...90°).

Accessories

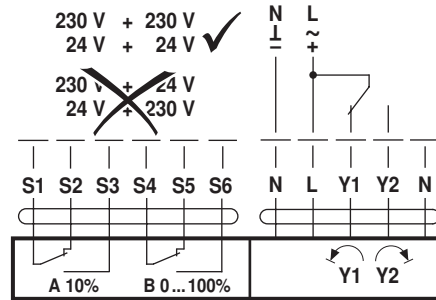
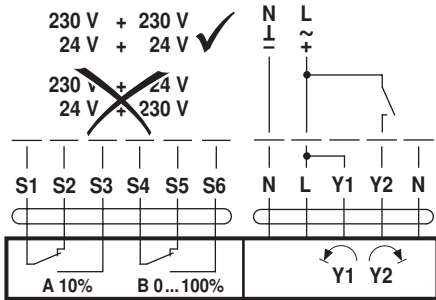
	Description	Type
Mechanical accessories	Position indicator and tappet shaft PR - F07, square, SW 17	ZPR01
	Tappet shaft PR - F07, square, SW 17	ZPR02
	Position indicator and tappet shaft PR - F05, square, SW 14	ZPR03
	Retrofit tappet shaft PR - F07, flat head, SW 17	ZPR05
	Retrofit tappet shaft PR - F07, square, SW 14	ZPR06
	Retrofit tappet shaft PR - F07, square, SW 17	ZPR08
	Retrofit tappet shaft PR - F07, flat head, SW 14	ZPR09
	Retrofit tappet shaft PR - F05, square, SW 14	ZPR10
	Retrofit tappet shaft PR - F07, square, SW 18	ZPR11
	Retrofit tappet shaft PR - F07, square, SW 16	ZPR12
	Service Tools	Service tool for parametrisable and communicative Belimo actuators / VAV controller and HVAC performance devices
Smartphone Service Tool for easy commissioning, parameterising and maintenance		Belimo Assistant App

Electrical installation

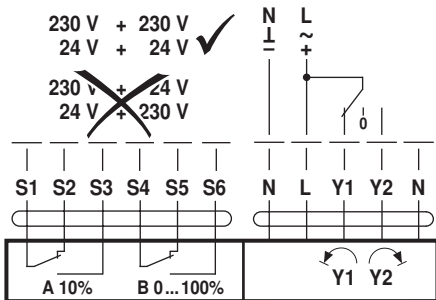
	<p>Notes</p> <ul style="list-style-type: none"> • Caution: Power supply voltage! • Parallel connection of other actuators possible. Observe the performance data. • The main power supply for the actuator and for the auxiliary switches shall be from the same phase.
--	---

Wiring diagrams

AC 24...240 V / DC 24...125 V, Open-close, Auxiliary switches

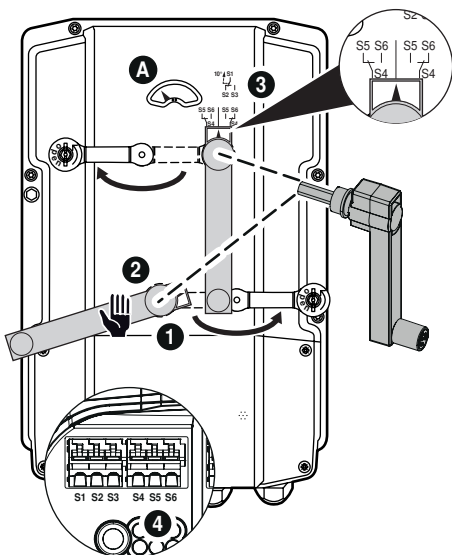


AC 24...240 V / DC 24...125 V, 3-point, Auxiliary switches



Operating controls and indicators

Auxiliary switch settings

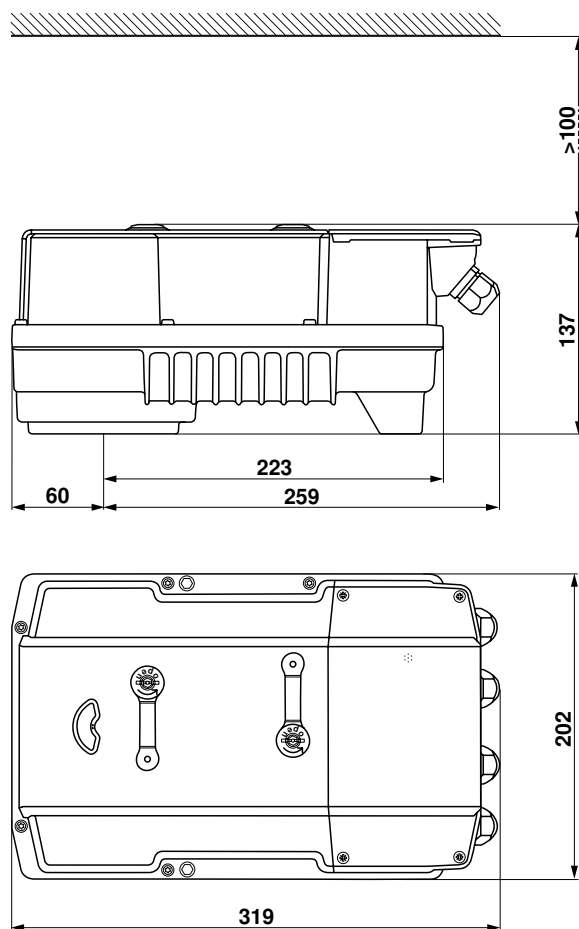


	<p>Note Perform settings on the actuator only in deenergised state.</p>
--	--

- 1 Gear disengagement**
Opening the manual override cover and adjusting the hand crank. Manual override is possible.
- 2 Manual override control**
Turn the hand crank until the desired switching position **A** is indicated and then remove the crank.
- 3 Auxiliary Switch**
Opening the auxiliary switch adjustment cover and adjusting the hand crank. Turn the crank until the arrow points to the vertical line
- 4 Terminals**
Connect continuity tester to S4 + S5 or to S4 + S6. If the auxiliary switch should switch in the opposite direction, rotate the hand crank by 180°.

Dimensions [mm]

Dimensional drawings



Further documentation

- Overview Valve-actuator combinations
- Data sheets for butterfly valves
- Installation instructions for actuators and/or butterfly valves
- General notes for project planning